



Piezoelctric Feeder

Specification



Piezoelctric Pump R&D Center
Changzhou KIPPON Electronics Technology Co. Ltd

04/06/2011





Product name : YDCZ-Piezo Bowl Feeders



YDCZ-Piezo Bowl Feeders

Product introduction :

piezoelectric feeder i.e vibrator bowl feeder is one of our another products .It greatly promote the productivity in the machining firms and assembling lines .PIEZO FEEDER is employing piezo-electric element made of fine ceramics to it's driving unit which is super in it's quick speed of feeding ,durability and adaptability to different size shape and material of parts.It can be operated in different fields suck as specialised automation engineering, providing automatic parts handling equipment for full load production in semiconductor chip, pharmaceutical, electronic components, molded plastic, automotive and metal working industries - anywhere, where there is a need to automate the handling and orientation of component parts.



Features- (Piezoelectric feeder) :

Ø It is not necessary to adjust the spring. It is not necessary to adjust the resonance spring after assembly and switch the frequency between 50Hz and 60Hz according to the region of use. Many years of trouble-free operation can be ensured by simply setting the controller frequency.

Ø No magnetic effect on workpiece. There is no magnetic effect on small or magnetic workpieces from the feeder and trouble-free tooling is ensured. .

Ø Suitable for processing thin, small workpieces A directly driven spring with a higher oscillation factor permits the feeding of small and thin items without any jiggling.

Ø A significant energy-saving effect. Piezo Feeder allows a 70% or more reduction in power consumption than electromagnetic feeders.

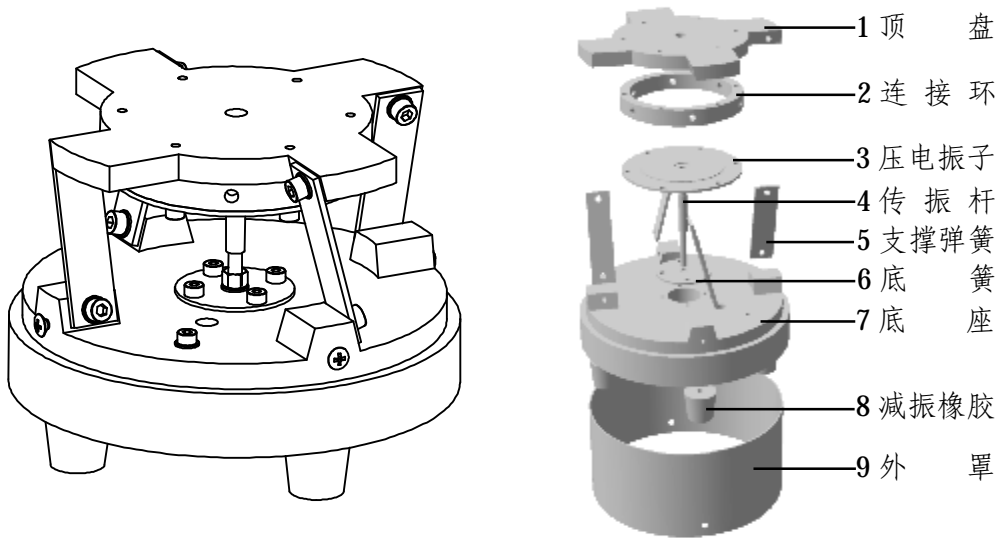
Ø 5. Can be used with 100/200V power sources. The use of a dedicated controller allows operation with either 100 or 200V power sources. Our products guarantee a consistent and accurate. our products guarantee a consistent and accurate flow of components into your production line and ensure low maintenance all the time.



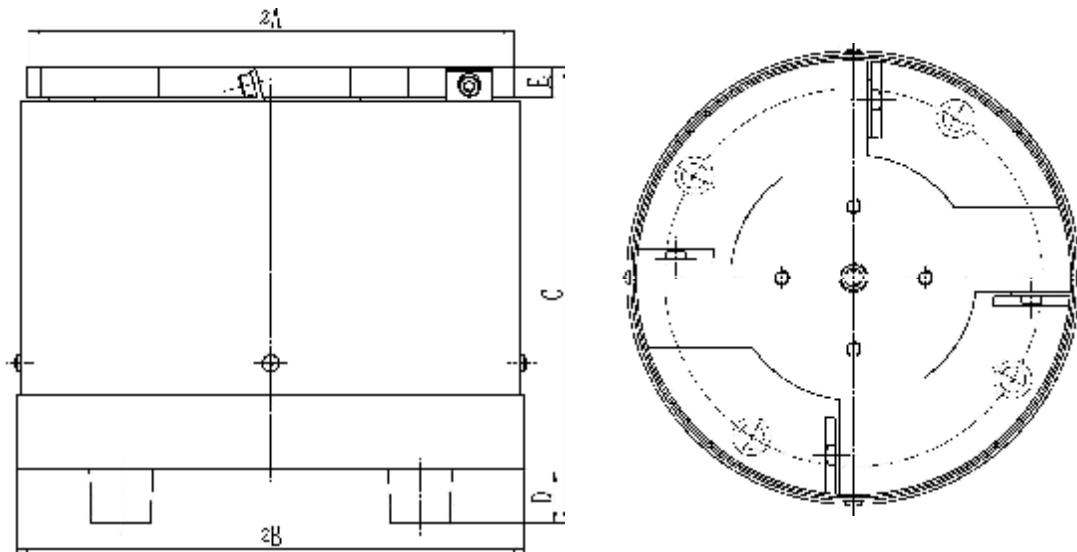


YDCZ90 /YDCZ120 /YDCZ150- - Piezo Bowl Feeders

Inside structure



Outside view:



Dimensions:

Model	A	B	C	D	E
PVF60L	60	66	44	—	9
PVF90L	90	108	96	16	11
PVF120L	120	138	111	16	11
PVF150L	150	176	128	20	12
PVF190L	190	216	150	20	12
PVF230L	230	266	170	20	15
PVF300L	300	336	197	25	18





Specifications:

设备型号 Model	PVF60L	PVF90L	PVF120L	PVF150L	PVF190L	PVF230L	PVF300L
输入电压[V] Voltage input	0-250						
输入频率[Hz] Frequency input	40~400						
料盘最大直径[mm] Max bowl size	Φ90	Φ120	Φ150	Φ250	Φ310	Φ370	Φ500
料盘最大重量[kg] Max bowl weight	0.3	0.4	0.8	2	3	5	8
工件重量[kg] Workpiece weight	0.2	0.3	0.6	1.0	1.5	2.5	3
环境温度[℃] Applicable temperature	0~40						
环境湿度[%RH] Applicable humidity	10~90						
机体重量[kg] Machine weight	0.4	2.1	3.9	6.5	12.2	18.8	34.7
适用控制器型号 Applicable controller	SDVC40						



适用控制器型号 (Applicable controller)

项目	数值		单位	说明
	最小	最大		
输入电压	85	260	V (伏特)	交流有效值
输出电压	0	260	V (伏特)	小于 150% 电源电压
输出电流	0	0.2	A (安培)	——
频率范围	40	400	Hz (赫兹)	——
输出功率	0	44	VA (伏安)	——
输出波形	正弦		——	——
电压调整精度	1		V (伏特)	——
频率调整精度	0.1		Hz (赫兹)	——
延迟时间范围	0	20	S (秒)	——
延迟时间精度	0.1		S (秒)	——
缓启动时间	0	10	S (秒)	——
辅助电源电压	22	26	V (伏特)	24V 直流低压控制电源
辅助电源电流	0	200	mA (毫安)	24V 直流低压控制电源
空载功耗	0	3	W (瓦特)	——
显示方式	5		位	LED 数码管
控制方式	1-5		V (伏特)	线控电压
	TTL 标准电平		——	开关信号
	6 键+LED		——	轻触面板键盘
工作环境温度	-10	35	0C (摄氏度)	不结露
工作环境湿度	10	85	% (相对湿度)	

